

## HC2026 Picnic Set (Surface Mounted)



### HC2026 Picnic Set Product Specifications:

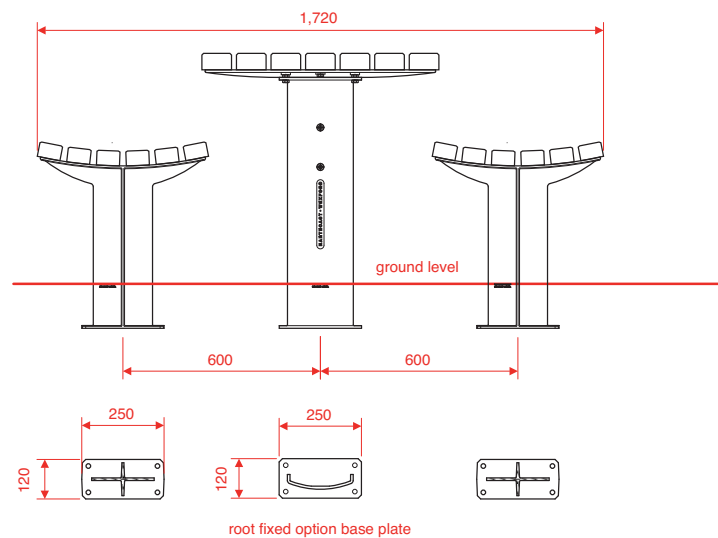
- Timber and cast ductile iron table and bench picnic set.
- Benches have no back support.
- Table Length is 1500mm, Bench Length is 1800mm.
- Supports are manufactured from 10mm cast ductile iron which is more durable than cast iron.
- The ductile iron components are galvanised with powder coat finish, as we manufacture all our products in house we can arrange any colour combination you require, see our colour palette section on page 109.
- Timber slats are 70 x 50mm (Bench) and 90 x 50mm (Table) FSC approved mahogany treated with a protective wood stain coating.
- Fixtures and fittings are stainless steel.
- Supports can be root fixed or surface mounted.

**Fitting:** *Surface Mounted:* There are 2 fixing points on each support. *Root Fixed:* The root fixing is a base plate 130 mm underground level with 4 fixing points on each support.

**Concrete Foundations:** Recommended concrete foundation 2500 x 2000 x 150mm.

### Options Available:

- Protective wood stain can be in light oak or dark teak.
- Recycled composite timber is also available as an alternative to hardwood, for more information see page 58/59.



## HC2026C Combo Seat Length: 1950 mm (Surface Mounted)



### HC2026C Combo Seat Product Specifications:

- Timber and cast ductile iron seat with offset back support.
- Length 1900mm
- Supports are manufactured from 10mm cast ductile iron which is more durable than cast iron.
- The ductile iron components are galvanised with powder coat finish, as we manufacture all our products in house we can arrange any colour combination you require, see our colour palette section on page 109.
- Timber slats are 70 x 50mm FSC approved mahogany treated with a protective wood stain coating.
- Fixtures and fittings are stainless steel.
- Supports can be root fixed or surface mounted.

**Fitting:** *Surface Mounted:* There are 2 fixing points on each support. *Root Fixed:* The root fixing is a base plate 130 mm underground level with 4 fixing points on each support.

**Concrete Foundations:** Recommended concrete foundation 2100 x 800 x 150mm.

### Options Available:

- Protective wood stain can be in light oak or dark teak.
- Recycled composite timber is also available as an alternative to hardwood, for more information see page 58/59.

