

# HC2026 PICNIC SET



## HC2026 Picnic Set

### Specifications:

- Timber or composite timber, cast ductile iron table and bench picnic set.
- Benches have no back support.
- Table Length is 1500 mm, Bench Length is 1800 mm.
- Supports are manufactured from 10mm cast ductile iron which is more durable than cast iron.
- The ductile iron components are fully galvanised and with polyester powder coat finish, see our colour options.
- Timber slats are 70 x 40mm (Bench) and 140 x 40 mm (Table) FSC approved mahogany treated with a protective wood stain coating.
- Fixtures and fittings are stainless steel.

### Fitting:

**Surface Mounted:** here are 2 fixing points on each support.

**Root Fixed:** The root fixing is a base plate 130 mm underground level with 4 fixing points on each support.

### Concrete Foundations:

Recommended concrete foundation 2500 x 2000 x 150mm.

### Options Available:

- Protective wood stain can be in light oak or dark teak. Recycled composite timber is also available as an alternative to hardwood.
- Supports can be root fixed or surface mounted.
- Wheelchair access version is available if required.
- BBQ Plate also available if required.

### Specifications:

Length	1800 mm
Width	1980 mm
Table Height	700 mm
Bench Height	430 mm

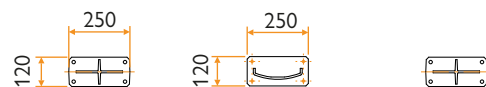
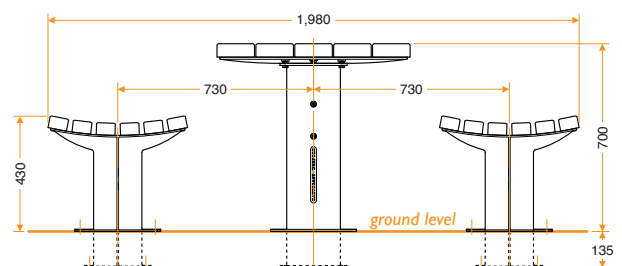
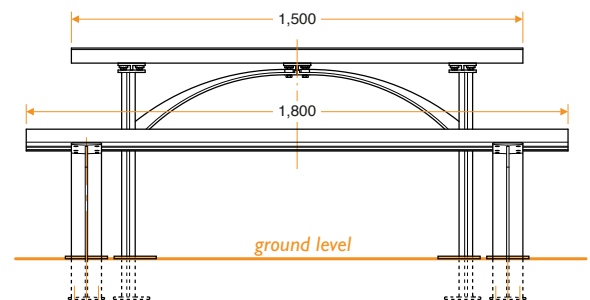
## PICNIC SET RANGE



HC2026 Picnic Set (Wheelchair Access)



HC2026 Picnic Set  
(With BBQ Plate and Composite Timber)



Root fixed option baseplates  
four no. holes per plate dia. 14 mm



Surface mount option baseplates  
four no. holes per plate dia. 14 mm



**HARTECAST**  
Street Furniture

www.hartecast.com E: info@hartecast.com IRL T: +353 (0)51 424922 UK T: +44 (0)161 820 6906