

# PHOENIX PARK Seat 6ft

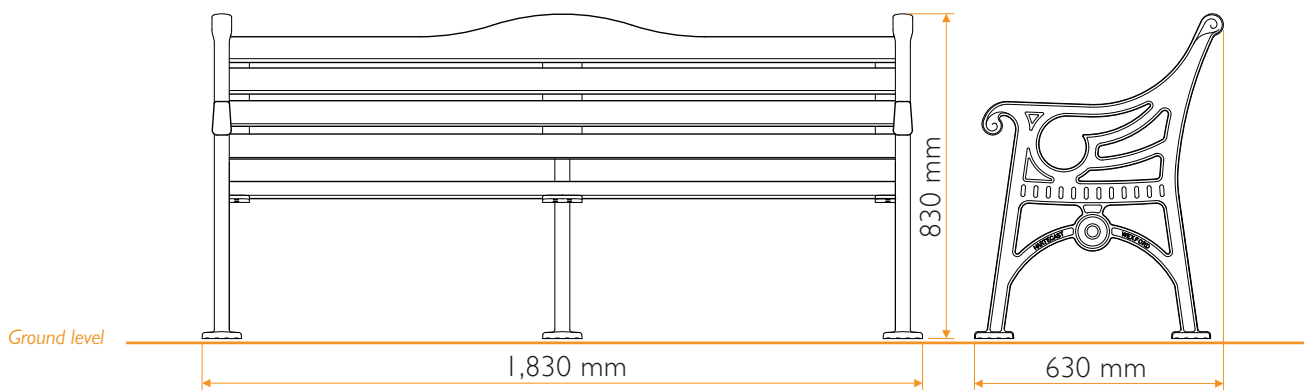


## Seat Range



### PHOENIX PARK Seat 6ft

### Colour Options



#### Specifications:

- Timber and cast iron seat with back support complete with 3 supports and side arm rests.
- Length 1830 mm.
- Supports are manufactured from cast iron.
- The cast iron components are pre treated with zinc rich primer and polyester powder coated, see our colour options. ➔
- Timber slats are 60 x 35 mm FSC approved mahogany treated with a protective wood stain coating.
- Supports are surface mounted.
- Fixtures and fittings are stainless steel.

#### Fitting:

There are 6 anchoring points.

#### Concrete Foundations:

Recommended concrete foundation 2000 x 800 x 150 mm.

#### Options Available:

- Sikkens wood stain can be light oak or dark teak.
- Recycled composite timber.
- Colours.
- 8ft version available.
- Also available in Bench version without back support see Phoenix Park Bench. ➔

#### Specifications:

Length	1830 mm
Width	630 mm
Seat Height	400 mm
Overall Height	830 mm



**HARTECAST**  
Street Furniture