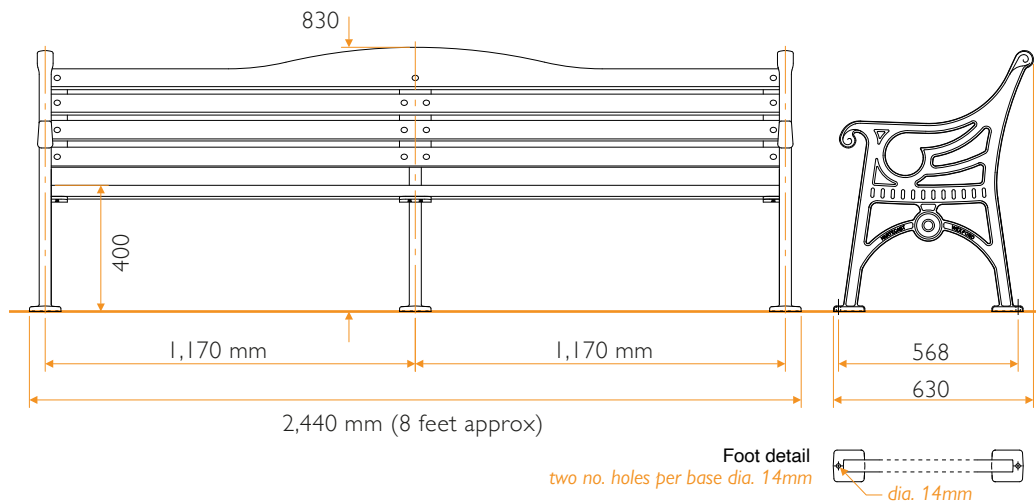




PHOENIX PARK Seat 8ft



Specifications:

- Timber and cast iron seat with back support complete with 3 supports and side arm rests.
- Length 2440 mm.
- Supports are manufactured from cast iron.
- The cast iron components are pre treated with zinc rich primer and polyester powder coated, see our colour options. ➤
- Timber slats are 60 x 35 mm FSC approved mahogany treated with a protective wood stain coating.
- Supports are surface mounted.
- Fixtures and fittings are stainless steel.

Fitting:

There are 6 anchoring points.

Concrete Foundations:

Recommended concrete foundation 2600 x 800 x 150 mm.

Options Available:

- Sikkins wood stain can be light oak or dark teak
- Colours.
- 6ft version available.
- Also available in Bench version without back support see Phoenix Park Bench. ➤

Specifications:

Length	2440 mm
Width	630 mm
Seating Height	400 mm
Overall Height	830 mm



HARTECAST
Street Furniture