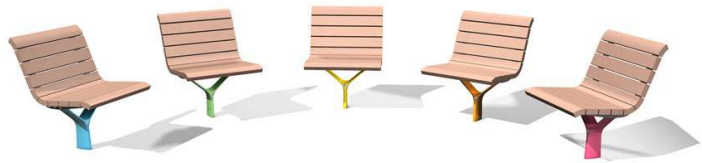
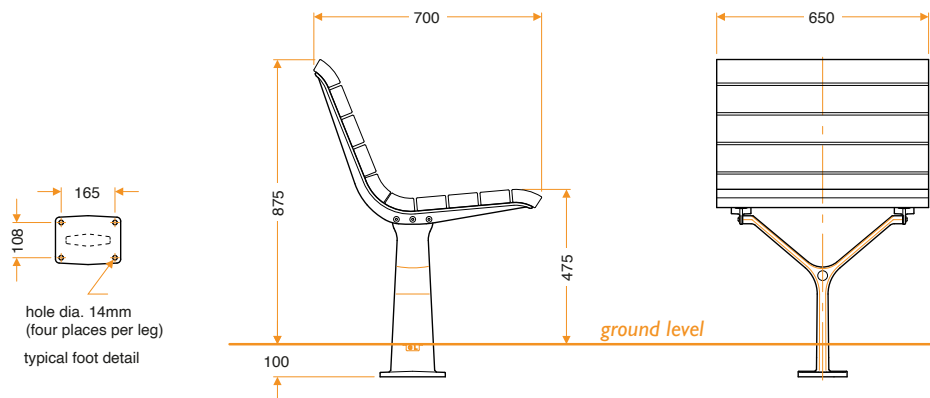


HC2027CR CHAIR

CHAIR RANGE



➤ HC2027CR Chair



Specifications:

- Timber and cast ductile iron seat with back support.
- Length 650mm.
- Supports are manufactured from 10mm cast ductile iron with is more durable than cast iron.
- The ductile iron components are galvanised with polyester powder coat finish, see our colour options. ➤
- Hardwood Timber slats are 90x40mm.
- Fixtures and fittings are stainless steel.

Fitting:

Root Fixed: The root fixing is a base plate 100mm underground level with 4 fixing points on each support.

Concrete Foundations:

Recommended concrete foundation
800 x 800 x 150 mm.

Options Available:

- Colours.
- Recycled Composite Timber
- Armrests

HC2027CR Chair Specifications:

Length	650 mm
Width	700 mm
Seating Height	475 mm
Overall Height	875 mm



HARTECAST
Street Furniture